



# PointScan/443™

## 24 VDC Power Supply Module



### Features

- Supplies power (24 VDC @ 1A) to any combination of up to seven PointScan/100™ modules\*
- Supplies power to instrumentation loops and other loads
- Provides protection from output overloads, line surges, and electrical interference
- Compact form-factor identical with PointScan/100 modules
- DIN-rail or panel mountable

### Specifications

Output Voltage: +24 VDC  
 Output Power @ 50°C: 24W, 1A  
 Output Power @ 70°C: 18W, 0.75A  
 Rated for Use With: 7 PointScan/100 series modules  
 Line Regulation: 0.05%  
 Load Regulation (0 to Full Load): 2%  
 Min Input Line Voltage: 85 VAC or 120 VDC  
 Max Input Line Voltage: 264 VAC or 370 VDC  
 Input Line Frequency: 47 to 63 Hz  
 Overload Protection: >105% (pulse mode)  
 Integral EMI Filter: Yes  
 Safety Standards: UL1950, EN60950, CE  
 EMC Standards: CISPR22, EN55022 Class B, CE  
 Operating Temperature Range: -30° to +70°C  
 Storage Temperature Range: -40° to +85°C  
 Humidity (Non-Condensing): 5 to 95%



Use the PointScan/443 to convert 85 to 264 VAC line power into 24 VDC for the PointScan/100 series modules and/or control loops

### Ordering Information

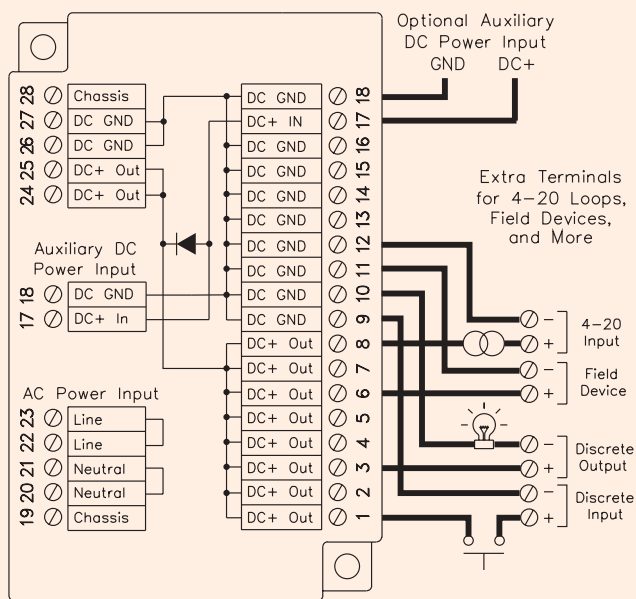
Description	Part No.
Power supply (24 VDC @ 1A)	PointScan/443

For complete information on accessories and cables, visit [www.iotech.com/acc](http://www.iotech.com/acc)

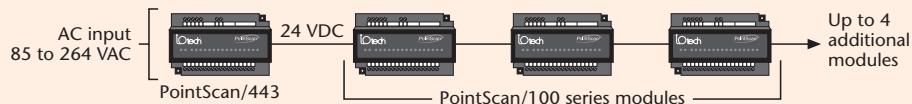
### Related Products

Hardware	
PointScan/100 Series	p. 244
PointScan/400 Series	p. 265

### PointScan/443 Wiring Diagram



### Typical Configuration



\* Some configurations may require a staggered power up of connected modules when AC power is initially connected to the PointScan/443